

SPECIFICATIONS

GENERAL:

The surface drainage system shall be Food Safe Area Drain - Round, complete with strainer basket, as manufactured by FoodSafe Drains.

MATERIALS:

T304 Stainless Steel or T316 Stainless Steel

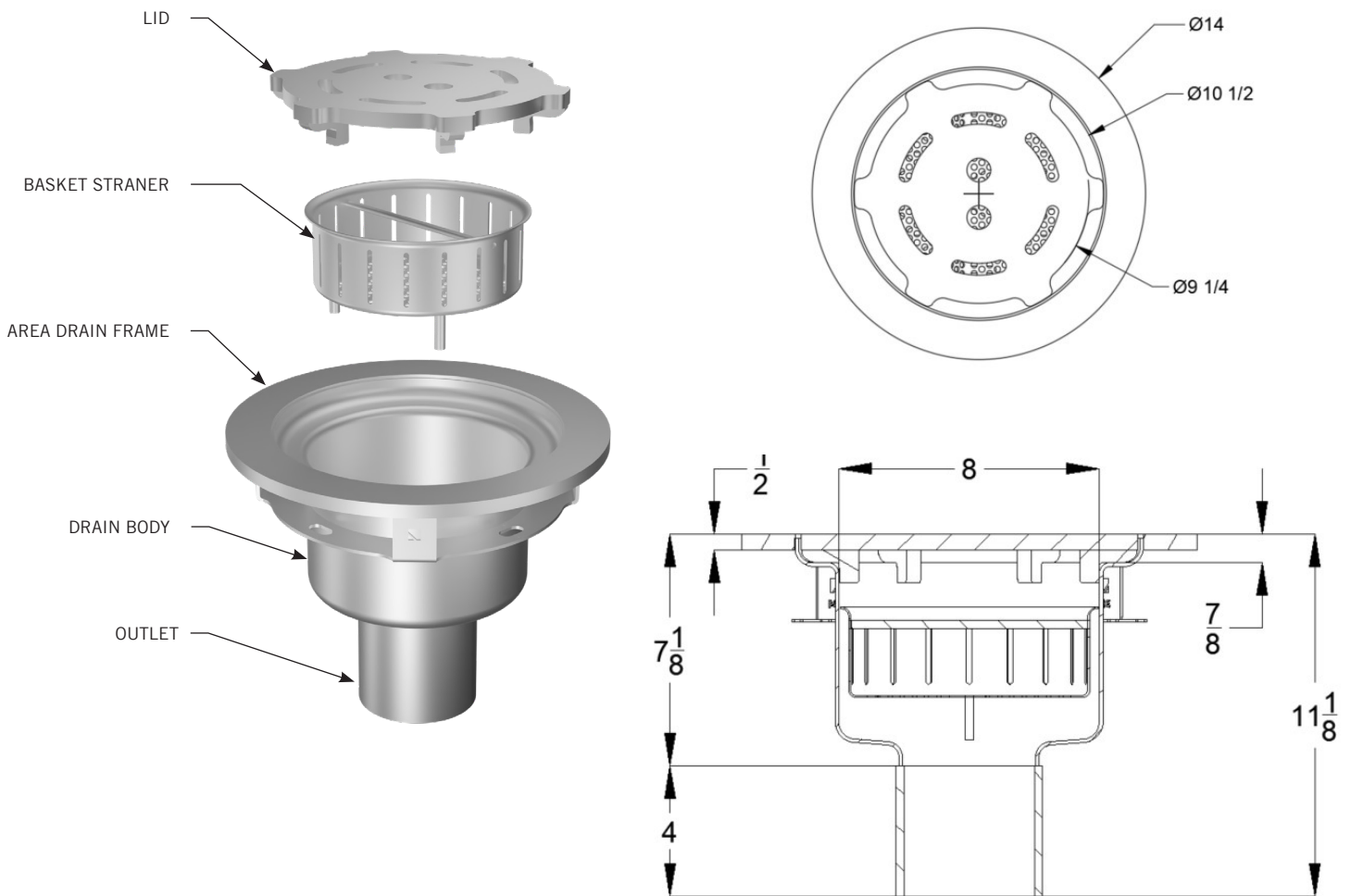
LOAD CLASS:

Load Class E - Forklift Rated

INSTALLATION:

The Food Safe Area Drain - Round shall be installed in accordance with the manufacturer's installation instructions and recommendations.

TYPICAL PROFILE OF A FOOD SAFE AREA DRAIN - ROUND SYSTEM



MEASUREMENTS

DESCRIPTION	DRAIN TOP ID INCHES	DRAIN OD INCHES	LID DIAMETER INCHES	LID HEIGHT INCHES	OUTLET DIAMETER INCHES	OUTER EDGE INCHES
FSD AREA - ROUND	8	10 1/2	9 3/4	1/2	4	14

OPTIONALLY, MAGLOCK DESIGN ALSO AVAILABLE.
SPECIFYING ENGINEER IS RESPONSIBLE FOR CONCRETE ENCASUREMENT AND REINFORCING BASED UPON APPLICATION AND LOCAL CODES.
GLOBAL DRAIN TECHNOLOGIES RESERVES THE RIGHT TO CHANGE THE PRODUCT AND SPECIFICATIONS WITHOUT NOTICE.